



SPECIFICATIONS

SS-SPD-US10E

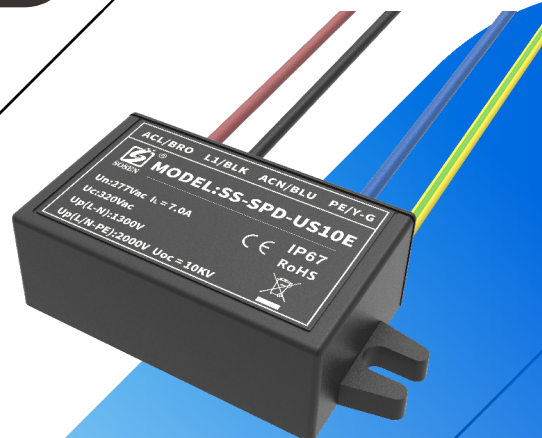
Power Surge Protector

Model: SS-SPD-US10E

Description:
Power Surge Protector

Rev.: V00

Release Date: 2025-07-05



SS-SPD-US10E

Features

- Wiring method: single fire wire in series
- Operating voltage: 90-305Vac
- Maximum inrush voltage: 10KV 1.2/50us
- Maximum inrush current: 10KA 8/20us
- Test category: CLASS II & CLASS III
- Waterproofing IP rating: Ip67
- Ring temperature max. up to 100°C
- Reference standard: IEC61643-11,
EN61643-11, GB/T18802.1-2011
- Surge protection: CM/ DM

Description

SS-SPD-US10E is a specially designed surge protection device for LED drivers in street lighting, industrial, ballpark and commercial applications to provide a higher level of lightning protection and transient overvoltage protection. The product has high quality and high stability, easy to install, safe to use, long service life, and low maintenance costs, which can bring a higher level of lightning protection for the driver and ensure that the LED power supply works stably and without damage, thus avoiding equipment failure and fire. Power supply work stable without damage, so as to avoid equipment failure and fire.

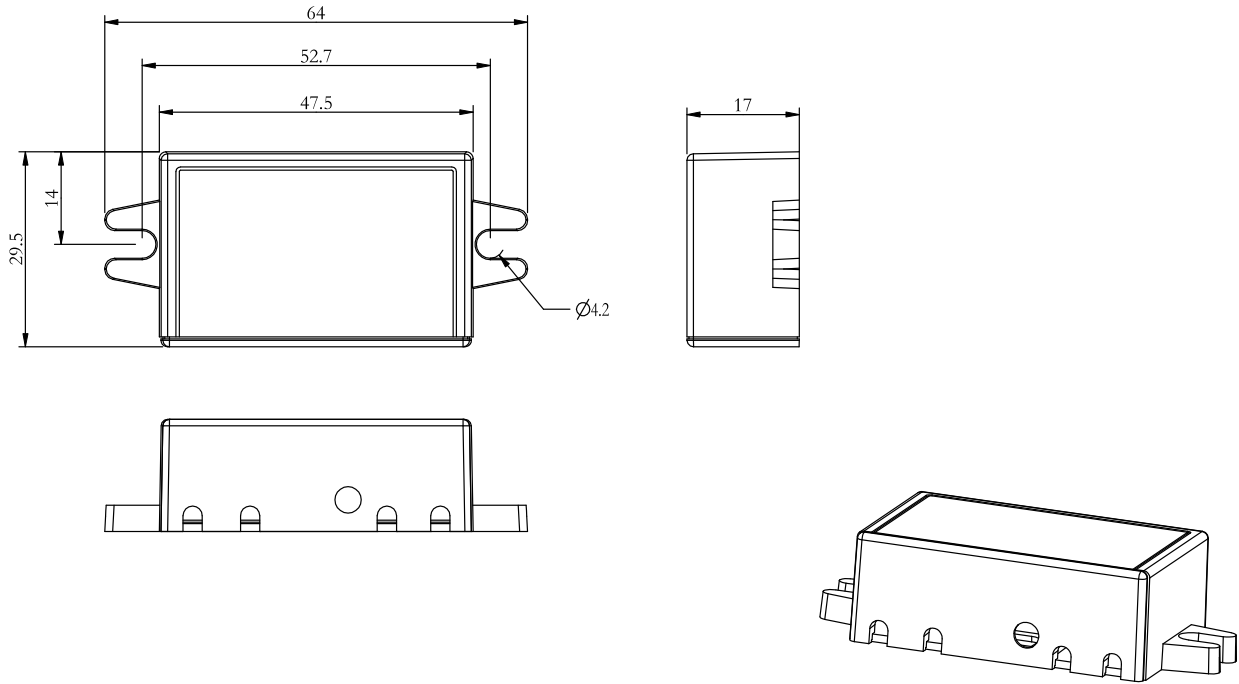
Applications: street lights, tunnel lights, ballparks, industrial and commercial lighting systems.

Technical Parameters

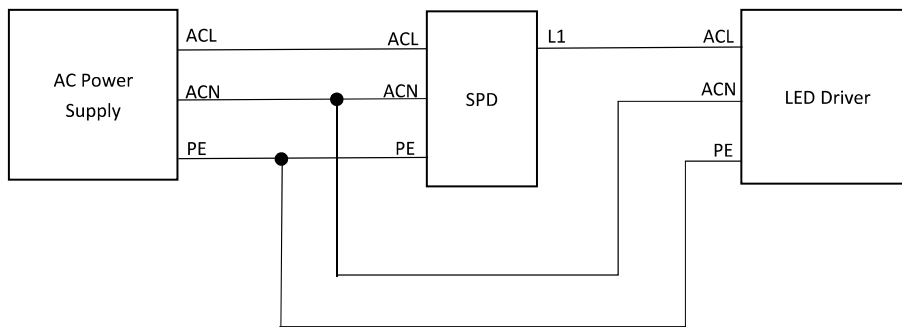
Parameters	Numerical value
Rated Input Voltage Range	100-277Vac
Maximum Input Voltage Range	90-305Vac
Maximum continuous operating voltage	320Vac
limit voltage	380V/48 hours
Input frequency	47-63Hz Typ:50/60Hz
Open circuit voltage Uoc	10kV @ 1.2/50us
L-N Clamp voltage Up	<1300V Typ:1000V
L-N Clamp voltage Up	<2000V Typ:1500V
Nominal discharge current In	≤ 5kA @ 8/20μselectric current wave
Maximum discharge current Imax	≤10kA @ 8/20μselectric current wave
Rated load current IL	≤ 7A
Operating Temperature	-40~+100°C
Storage temperature	-40~+100°C
End-of-life indication	Green: normal; off: end of life

1/3

Enclosure Dimensions:



Wiring Method:



- Notes: 1. brown: AC L, black: L1, blue: ACN, yellow-green: PE
2. wire gauge: UL 1015, 3*17AWG / 3C Exposed Length 150±10mm Tinned length of wire: 10±2mm
3. shell color: dark gray
4. shell material: plastic one-piece shell (UL1449 fire-resistant plastic; resistance to 100 °C temperature).

SS-SPD-US10E

Package

- Outside carton dimension: L×W×H =495mm×385mm×162mm;
- 112PCS/Carton;
- Net weight/Piece0.048kg;Gross weight/Carton: 6.5kg;

Transportation

Packaging is designed suitable for transportation by trucks, vessels and flights. The products should be avoided direct sunlight and rain, loaded/unloaded with caution.

Storage

The product storage meets the standard of the GB 3873—83.
Products should be rechecked if stored for over 1 year before assembly.

RoHS

Products comply with RoHS Directive (2011/65/EU) and amendment 2015/863/EU.

Revision History

Version	Description of Update	Updated Date	Remark
V00	Original Release	2025/07/05	